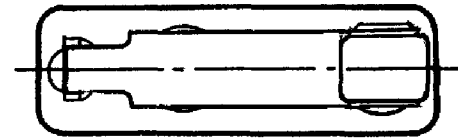
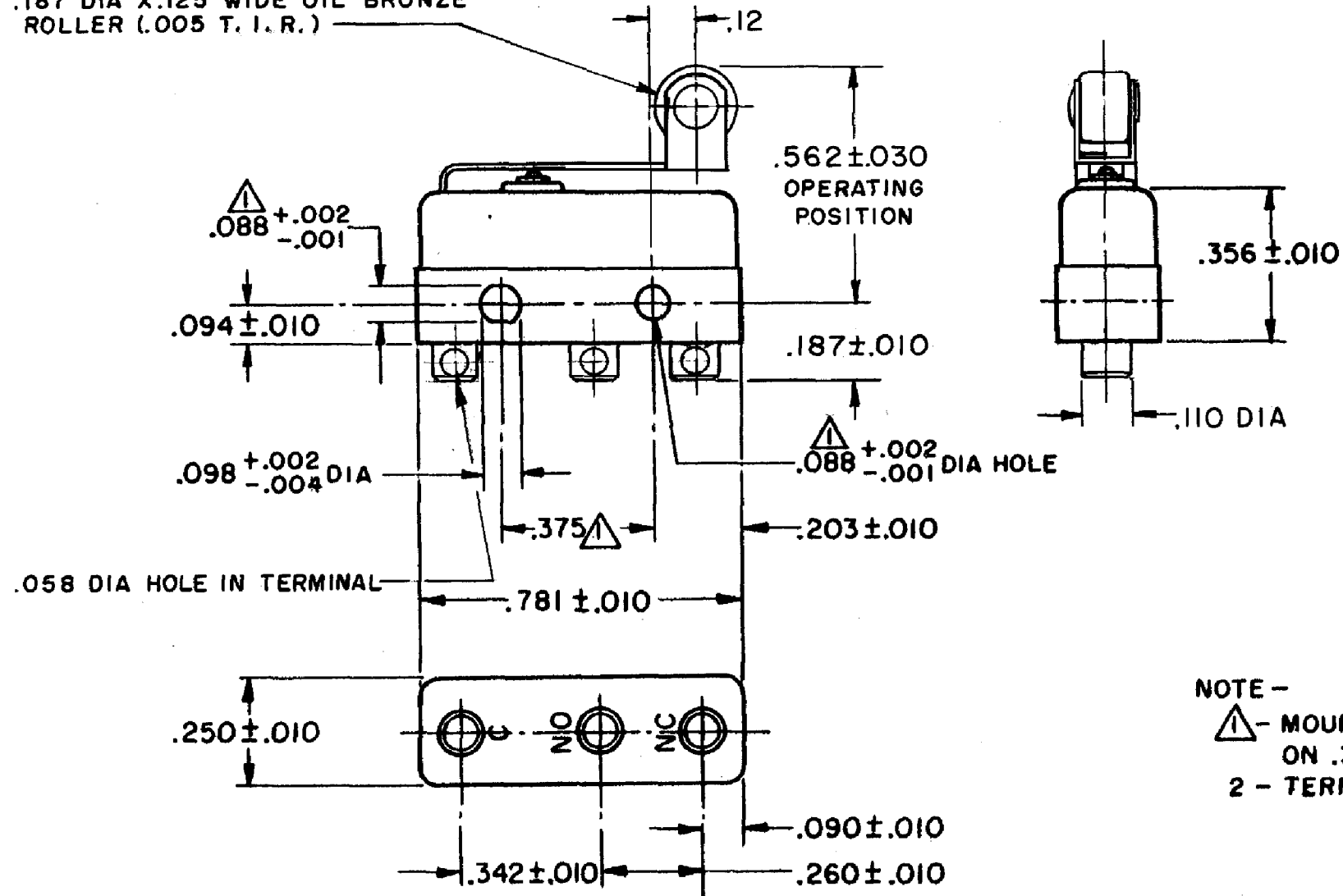


HONEYWELL PART NUMBER
111SM2
PRODUCT CODE TYJ0200

REV	DOCUMENT	CHANGED BY	CHECK
6	0038225	PRS 04APR08	BLR



.187 DIA X .125 WIDE OIL BRONZE ROLLER (.005 T. I. R.)



NOTE -
 ▲ - MOUNTING HOLES WILL ACCEPT PINS OR SCREWS OF .087 MAX DIA ON .375 ±.002 CENTERS
 2 - TERMINALS ARE PLATED FOR SOLDERING

RELEASE NO.	SR - 9566
REPLACES	-

CHARACTERISTICS	
OPERATING FORCE - - - -	7 OZ MAX
RELEASE FORCE - - - - -	2 OZ MIN
PRETRAVEL - - - - -	.219 MAX
DIFFERENTIAL TRAVEL - - -	.025 MAX
OVERTRAVEL - - - - -	.030 MIN

ELECTRICAL DATA		
CONTACT ARRANGEMENT SPDT		
30 VOLTS DC RATING		
	SEA LEVEL	50,000 FT
INDUCTIVE	3 AMP	2.5 AMP
RESISTIVE	5 AMP	5 AMP
MAXIMUM INRUSH 24 AMP		
APPROVALS	KEMA, CE	5A, 250V ~ T85 1E4
	UL, CSA	5A, 250 VAC ~

DESIGN UNITS: INCH
TOLERANCES UNLESS NOTED:
NO PLACE X ±
ONE PLACE .X ±
TWO PLACE .XX ±
THREE PLACE .XXX ±
FOUR PLACE .XXXX ±
ANGLES ±
THIRD ANGLE PROJECTION

DRAWN	VK	23 OCT 07
CHECK	RJ	23 OCT 07
THIS DRAWING COVERS A PROPRIETARY ITEM AND IS THE PROPERTY OF HONEYWELL. THIS DRAWING IS NOT TO BE COPIED OR USED WITHOUT THE PERMISSION OF HONEYWELL.		
INTERPRET PER ANSI Y14.5M-1982 OTHER HONEYWELL ENGINEERING STANDARDS MAY APPLY		
RASTER		

Honeywell			
TITLE SWITCH - BASIC			
SIZE	TYPE	DRAWING NAME	REV
B	I	111SM2	6
SCALE	-	WEIGHT .008 LB MAX	SHEET 1 OF 1